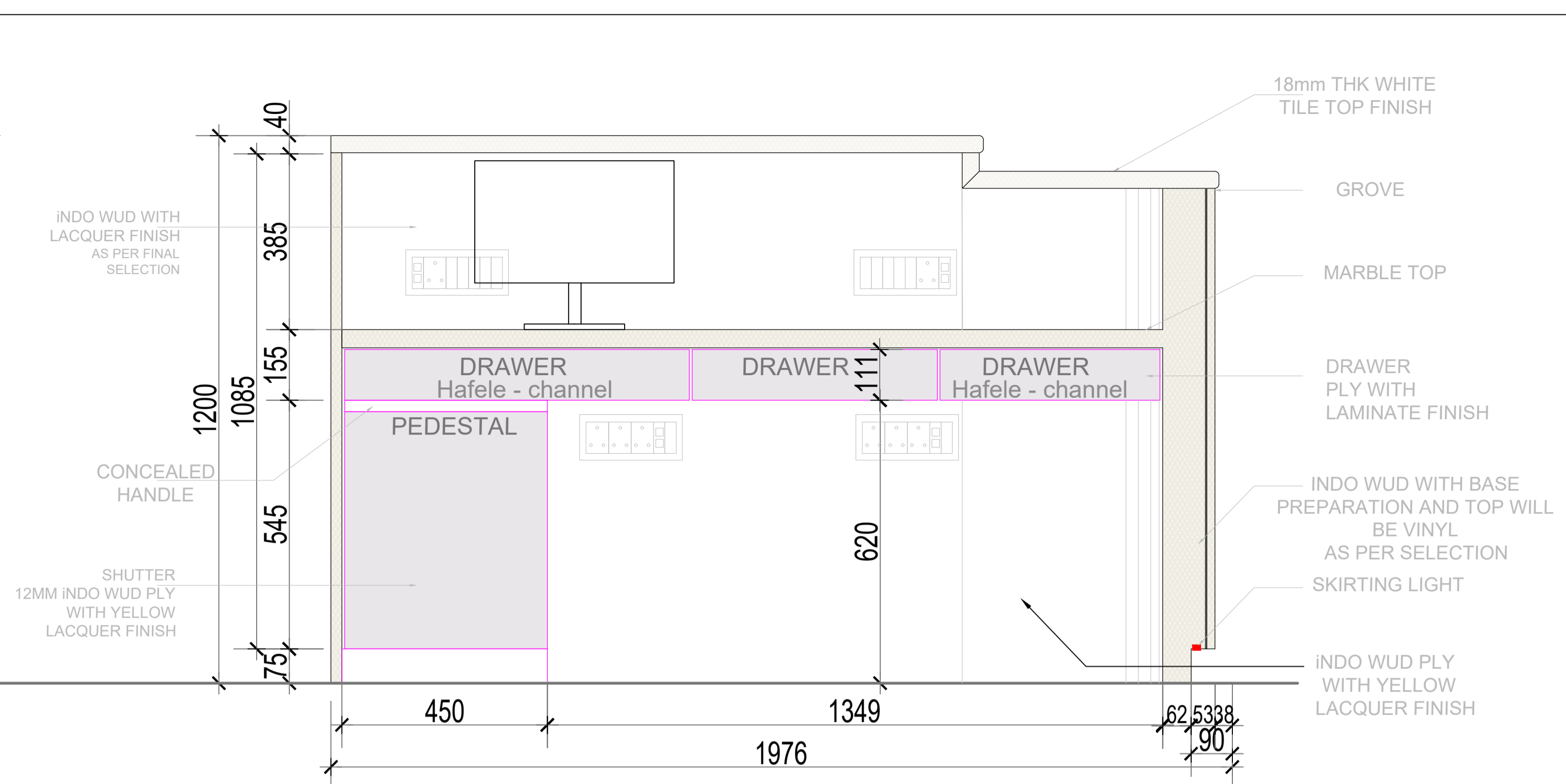
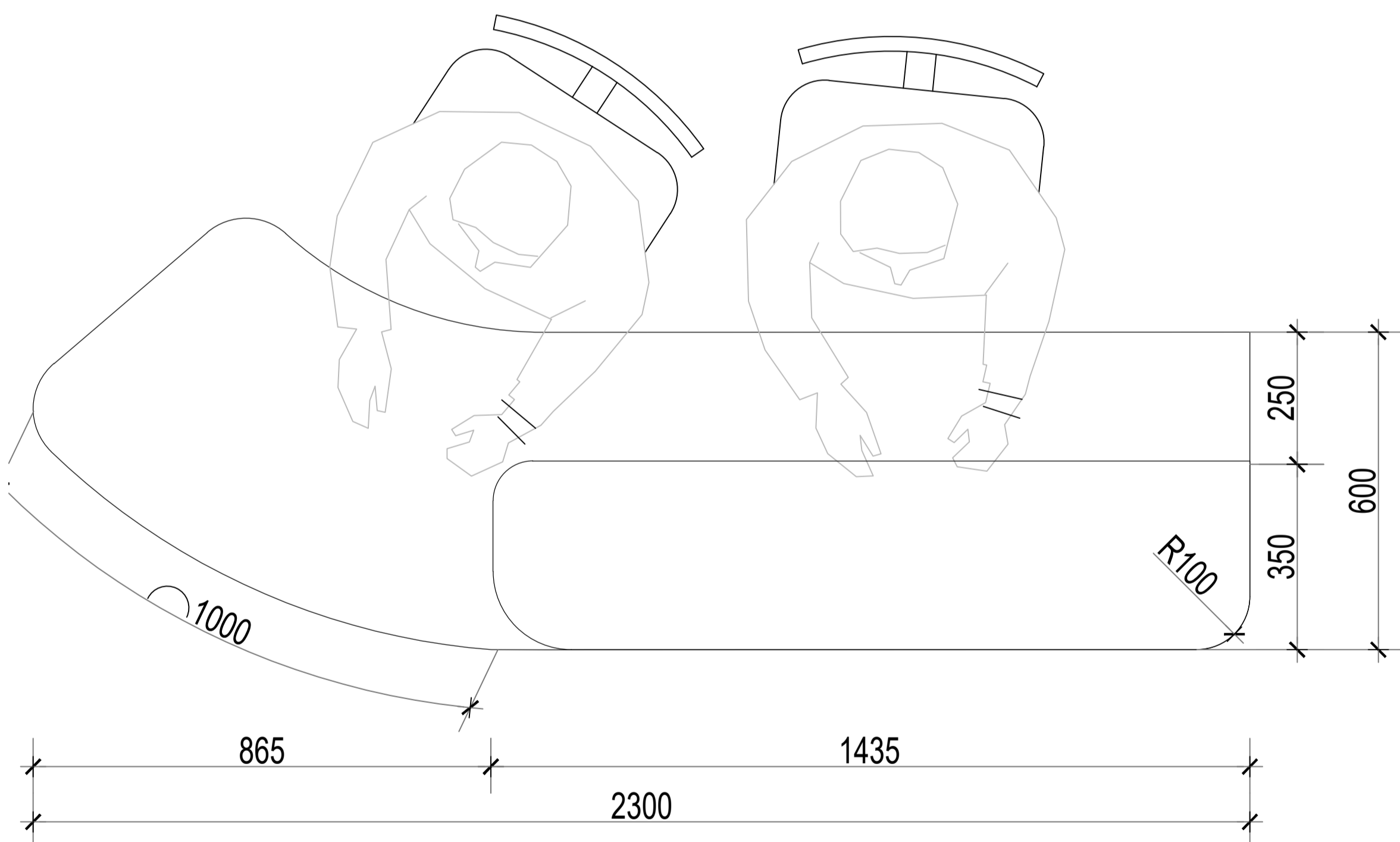


FRONT ELEVATION



INSIDE ELEVATION



PLAN



NOTES:

- All measurements are in millimeters.
- Dimensions not to be scaled, only referred.
- All measurements to be checked at site .
- This is purely an interior design concept.
- Local authorities & structural engineers approval is required for all work for which client is responsible.
- All dimension shall be verified on site prior to commencement of any work. any discrepancy shall be brought to the notice of the company
- The content of the design remains the IP OF DESIGM.

CLIENT NAME:
-

PROJECT NAME:
-

PROJECT ADDRESS:
-

DRAWING NAME:
BH23_ RECEPTION DESK

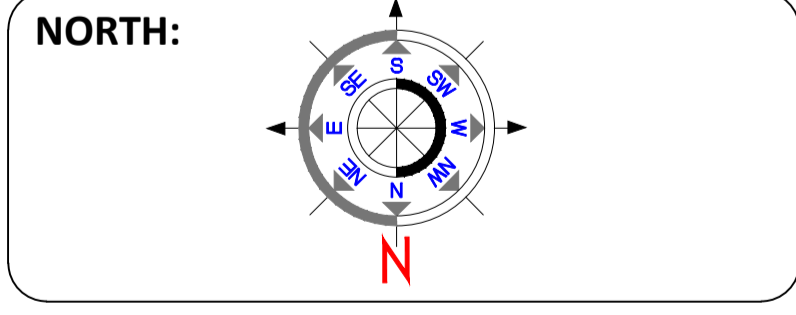
PURPOSE :
WORKING DRAWING

DRAWING DETAILS:

DRAWING NO : A 120
DATE : 22 / 09 / 2023
DRAWN BY : AFAQUE
CHECKED BY : DIVYA
SCALE : NTS

REVISIONS:

DATE	DRAWING REVISED



DESIGM

Address: Laxmi Plaza, 345, SAB TV Rd,
Laxmi Industrial Estate, Andheri West, Mumbai,
Maharashtra 400053
email :- studio@desigm.in